

- LED AR111 Lamp with the feature of accent is applicable to different kinds of locations, and it can replace the conventional halogen lamp
- Replacing the conventional halogen lamp without extra accessories
- High light efficiency, save more than 70% energy
- Long life span, less maintenance cost
- Dimmable products for option

▶ New Technology

LED AR111 Series



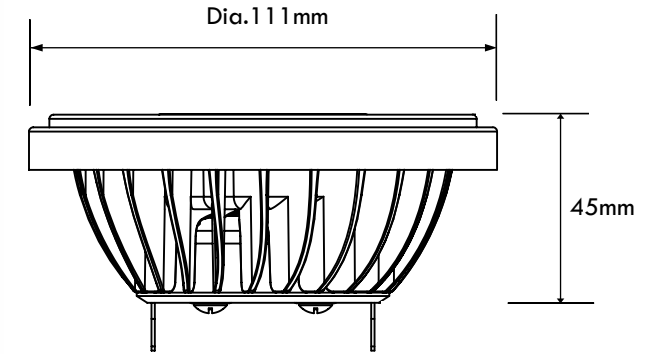
2012 New products

AR111LED Series

Upgrade the Technology by Upgrading LED!

Suitable for spot lighting in hotel, restaurant, bar, coffee house, and cabinet lighting in all kinds of locations.

SPECIFICATIONS



Power Consumption | 10W
 Light Source | CREE
 Base Cap | G53
 Materials | Die-casting aluminum / PC
 Dimmable | No

Input Voltage | AC/DC 12V
 Luminous | 600 lm / 650 lm / 750 lm
 Life Time | 35000 Hrs (10Hrs/Day)
 Operating Temp. | -10°C ~ 40°C
 Colour Temp. | Warm White (3000K) /
 Day White (4000K) /
 Cool White (>5500K)

Power Consumption | 13W
 Light Source | CREE
 Base Cap | G53
 Materials | Die-casting aluminum / PC
 Dimmable | No

Input Voltage | AC/DC 12V
 Luminous | 800 lm / 900 lm / 1000 lm
 Life Time | 35000 Hrs (10Hrs/Day)
 Operating Temp. | -10°C ~ 40°C
 Colour Temp. | Warm White (3000K) /
 Day White (4000K) /
 Cool White (>5500K)

* 10W AR111 LED Lamp can replace 40-50W Halogen AR111
 * 13W AR111 LED Lamp can replace 60-70W Halogen AR111
 * CREE LED Chip

OPTICAL PROPERTIES - PHOTOMETRIC GRAPH

