

LED MR16 Data Sheet

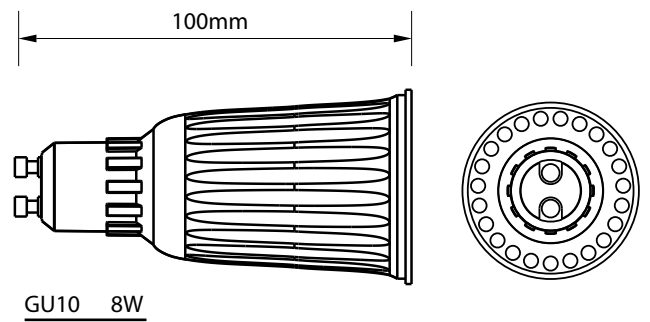
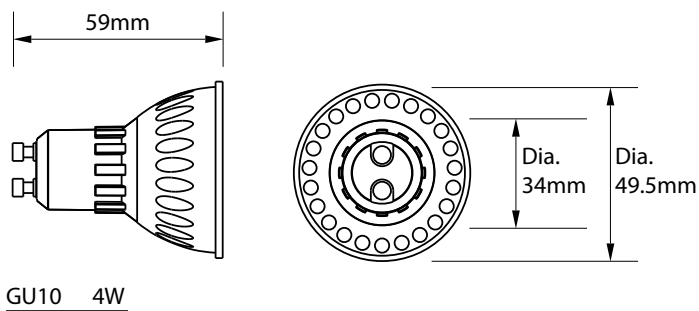
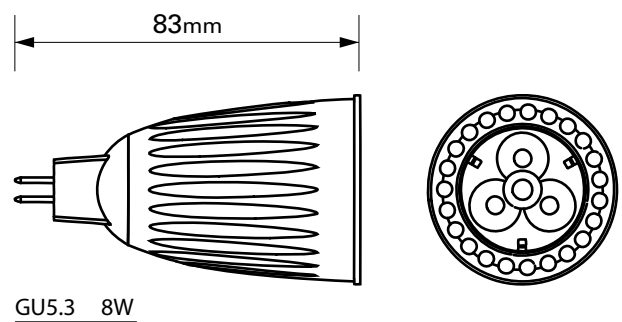
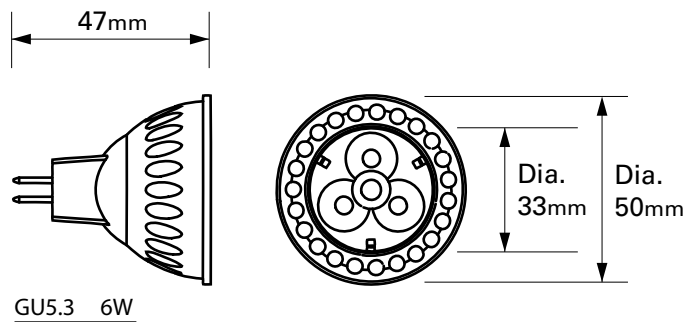
BENEFITS

- 4W/6W/8W low Power consumption but equivalent to traditional 25/35/45W incandescent
- 6W warm white provides 300 lm (hot lumen after 45min) which is 20% brighter than similar products in market
- High efficacy "Revolver" passive heatsink structuring with CREE LED chips
- LUMAN LED drivers are available for both non-dim and dimmable function
- Both GU5.3 and GU10 screw caps are available
- Environmental friendly: without mercury, Ultraviolet(UV) and infra-red light
- Quality materials providing 35,000 hours using lifetime (10 hours per day)
- Complied with CE (Europe), CB, SAA and RoHS certified

APPLICATIONS

- Hotel and restaurant
- Retail shop and supermarket
- Shelve / Furniture lighting
- Commercial
- Residential

DIMENSIONAL DRAWING



MR16 GU5.3 VERSION:

MODEL CODE	POWER(W)	Flux	Colour	CCT(K)	CRI	RADIANCE ANGLE	VOLTAGE (V)
LM-M6S04-GN2D3 LM-M6S04-GN2D1	4W	150	Super Warm White	2700K	82	25°/10°/40°	AC/DC 12V
LM-M6W04-GN2D3 LM-M6W04-GN2D1			Warm White	3000K			
LM-M6C04-GN2D3 LM-M6C04-GN2D1		180	Cool White	>5500K	80		
LM-M6S06-GN2D3 LM-M6S06-GN2D1	6W	300	Super Warm White	2700K	82		
LM-M6W06-GN2D3 LM-M6W06-GN2D1			Warm White	3000K			
LM-M6C06-GN2D3 LM-M6C06-GN2D1		360	Cool White	>5500K	80		
LM-M6S08-GN2D3 LM-M6S08-GN2D1	8W	400	Super Warm White	2700K	82		
LM-M6W08-GN2D3 LM-M6W08-GN2D1			Warm White	3000K			
LM-M6C08-GN2D3 LM-M6C08-GN2D1		480	Cool White	>5500K	80		

MR16 GU10 VERSION:

MODEL CODE	POWER(W)	Flux	Colour	CCT(K)	CRI	RADIANCE ANGLE	VOLTAGE (VAC)
LM-M6S04-GN1D3 LM-M6S04-GN1D1	4W	150	Super Warm White	2700K	82	25°/10°/40°	& 220-240VAC & 100-120VAC
LM-M6W04-GN1D3 LM-M6W04-GN1D1			Warm White	3000K			
LM-M6C04-GN1D3 LM-M6C04-GN1D1		180	Cool White	>5500K	80		
LM-M6S06-GN1D3 LM-M6S06-GN1D1	6W	300	Super Warm White	2700K	82		
LM-M6W06-GN1D3 LM-M6W06-GN1D1			Warm White	3000K			
LM-M6C06-GN1D3 LM-M6C06-GN1D1		360	Cool White	>5500K	80		
LM-M6S08-GN1D3 LM-M6S08-GN1D1	8W	400	Super Warm White	2700K	82		
LM-M6W08-GN1D3 LM-M6W08-GN1D1			Warm White	3000K			
LM-M6C08-GN1D3 LM-M6C08-GN1D1		480	Cool White	>5500K	80		

CHARACTERISTICS AND SPECIFICATIONS

ENVIRONMENTAL PROPERTIES (MIN. & MAX. RATING)

Parameter	Rating	Unit
Operating Temperature	-20 ~ +50	°C
Storage Temperature	-40 ~ +60	°C
Max. Surface Temp	60	°C
Lifetime	35000	Hour

MECHANICAL PROPERTIES

Parameter	
Housing	Aluminum
Cover	Polycarbonate
Lamp Base	GU5.3/GU10
Weight	100g/42g/40g

INSTALLATION GUIDE/INSTRUCTIONS

ASSEMBLY DIAGRAM

Installation Drawing	Power Input	Fitting
Drawing 1	AC Input AC/DC 12V	GU5.3
Drawing 2	AC Input 100-120V & 220-240V	GU10

<p>Drawing 1</p> <p>MR16</p>	<p>Drawing 1</p> <p>MR16</p>
------------------------------	------------------------------

SAFETY INFORMATION

- Do not damage or destroy contact pins.
 - Parallel connection is highly recommended as safe electrical operation mode
 - Serial connection is not recommended.
- Recommend operation AC input power range is GU10 - 220-240VAC 50/60Hz, GU5.3 - 12V AC/DC

OPTICAL PROPERTIES

LM-M6S06-GN2D3/ LM-M6S06-GN1D3

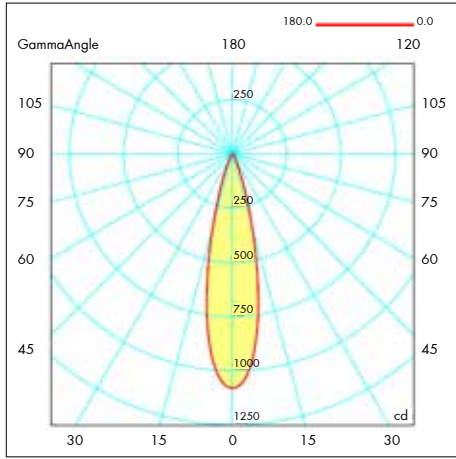


Fig.1 Polar Coordinates

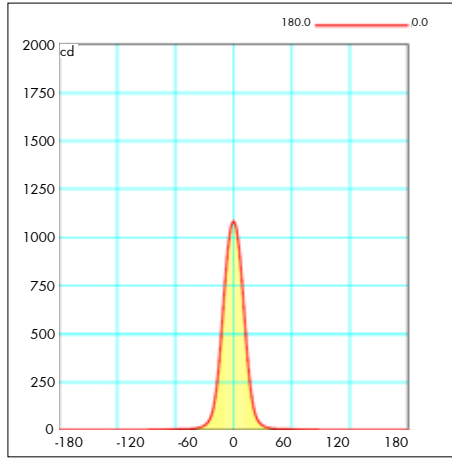


Fig.2 Cartesian Coordinates

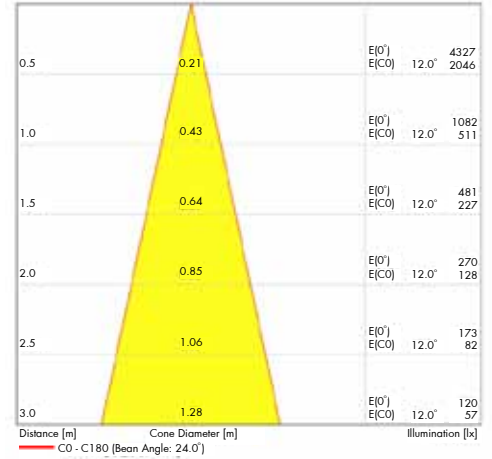


Fig.3 Illumination/Distance

LM-M6W06-GN2D3/ LM-M6W06-GN1D3

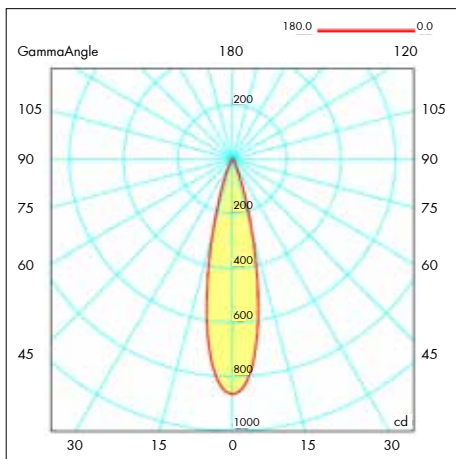


Fig.4 Polar Coordinates

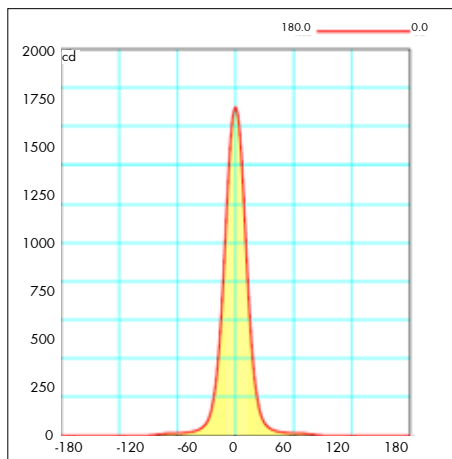


Fig.5 Cartesian Coordinates

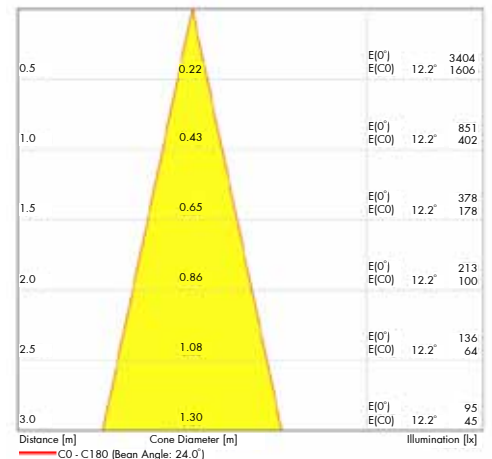


Fig.6 Illumination/Distance

LM-M6C06-GN2D3/ LM-M6C06-GN1D3

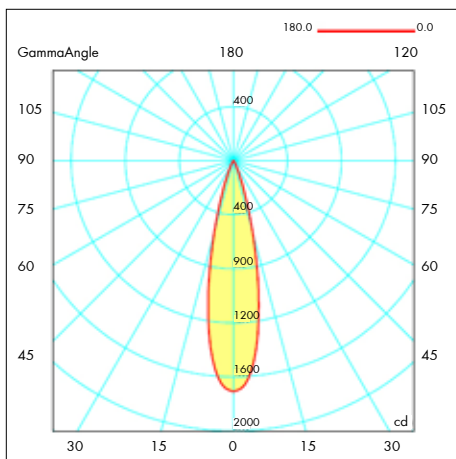


Fig.7 Polar Coordinates

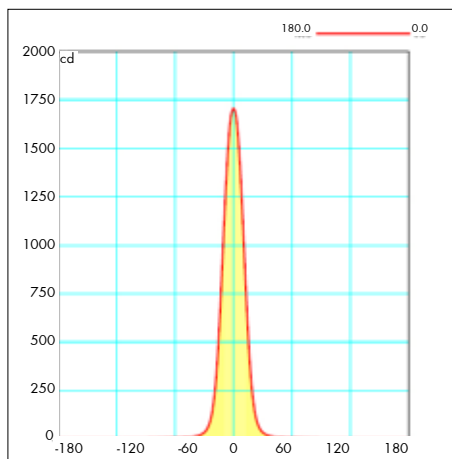


Fig.8 Cartesian Coordinates

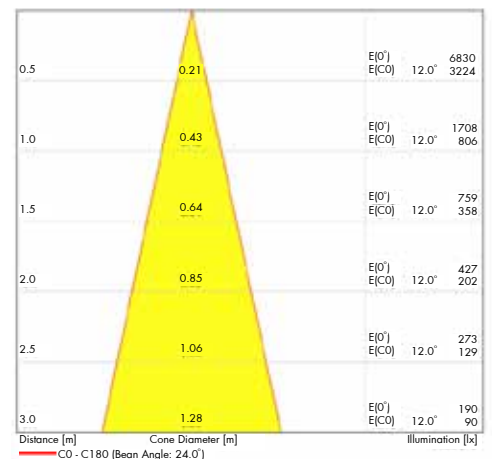


Fig.9 Illumination/Distance

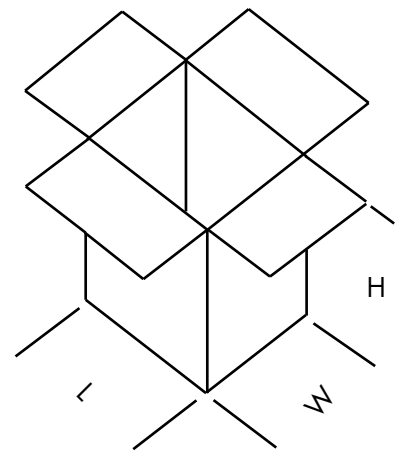
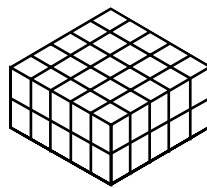
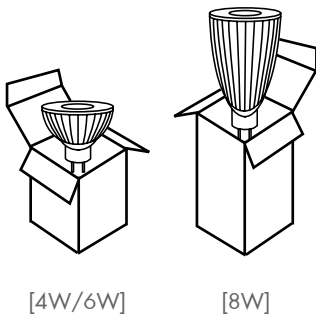
PACKAGING GUIDELINES

ORDERING GUIDELINE

Carton Dimensions (Length x Width x Height)	Product Group	Model Code	Quantity per Carton
GU5.3(8W) S carton:(L)280mm x (W)280mm x (H)150mm	MR16 Spot Light	LM-M6XXX-XXXX	25 pcs
GU5.3(8W) M carton:(L)585mm x (W)300mm x (H)335mm			100 pcs
GU5.3(4W/6W) S carton:(L)280mm x (W)280mm x (H)150mm			50 pcs
GU5.3(4W/6W) M carton:(L)585mm x (W)300mm x (H)335mm			200 pcs
GU10(8W) S carton:(L)280mm x (W)280mm x (H)150mm			25 pcs
GU10(8W) M carton:(L)585mm x (W)300mm x (H)335mm			100 pcs
GU10(4W/6W) S carton:(L)280mm x (W)280mm x (H)150mm			50 pcs
GU10(4W/6W) M carton:(L)585mm x (W)300mm x (H)335mm			200 pcs

*Notes: 1 Pack Dimensions GU10(4W/6W) - (L)50mm x (W)50mm x (H)70mm
 1 Pack Dimensions GU10(8W) - (L)50mm x (W)50mm x (H)110mm
 1 Pack Dimensions GU5.3(4W/6W) - (L)50mm x (W)50mm x (H)55mm
 1 Pack Dimensions GU5.3(8W) - (L)50mm x (W)50mm x (H)110mm

- *GU5.3(8W) S Carton Gross Weight: 4 kg
- *GU5.3(8W) M Carton Gross Weight: 17.1 kg
- *GU5.3(4W/6W) S Carton Gross Weight: 3.5 kg
- *GU5.3(4W/6W) M Carton Gross Weight: 14.8 kg
- *GU10(8W) S Carton Gross Weight: 4.3 kg
- *GU10(8W) M Carton Gross Weight: 18.2 kg
- *GU10(4W/6W) S Carton Gross Weight: 4.3 kg
- *GU10(4W/6W) M Carton Gross Weight: 18.1 kg



SALES AND TECHNICAL SUPPORT

LUMAN LIGHTING LTD.

[HONG KONG OFFICE] Address: Unit 709, Lakeside 2, Phase Two, No. 10 Science Park West Avenue, Hong Kong
 Science Park, Shatin, New Territories, Hong Kong
 Telephone: 852-39098600
 Fax: 852-39098601
 Email: info@lumanlighting.com
 Website: www.lumanlighting.com