

#### Features:

- Modularised light source, with excellent heat dispersion.
- High light transmission rate
- Low lumen depreciation

▶ New technology

### LED PL Tube

RoHS  
No Mercury

Low heat

Low power

35,000 Hours



*2012 New products*

## LED PL Tube

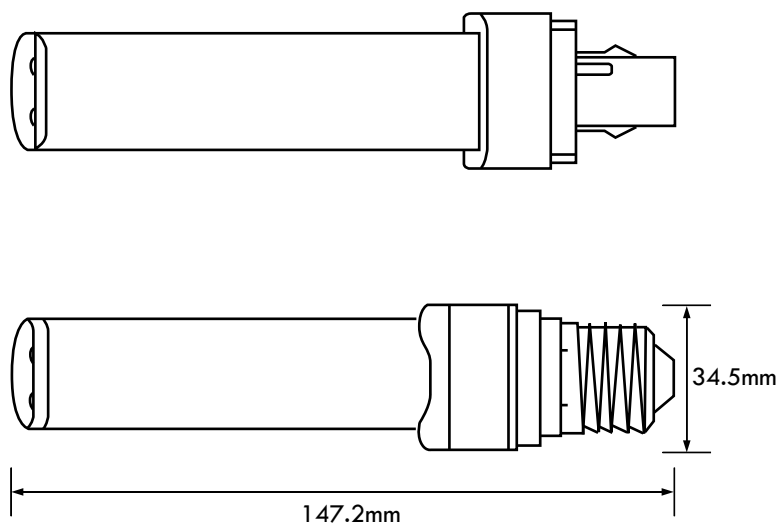
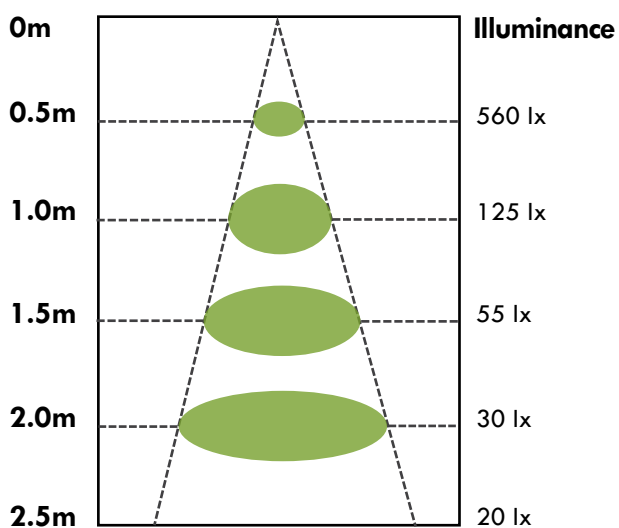
Upgrade the Technology by Upgrading LED!

LUMAN "PL tube" is an ideal lamp for direct replacement of traditional PL fluorescent tube.

## SPECIFICATIONS

POWER CONSUMPTION	INPUT VOLTAGE	LUMEN OUTPUT	COLOR TEMPERATURE	CRI	LAMP BASE
4W	110/220	360	Cool white Natural white Super warm white	>80	G24/E27
5W	110/220	450	Cool white Natural white Super warm white	>80	G24/E27
6W	110/220	550	Cool white Natural white Super warm white	>80	G24/E27

## ILLUMINANCE DIAGRAM (2700K)



## APPLICATION

- Hotel
- Office
- Retail shop
- Public environment

