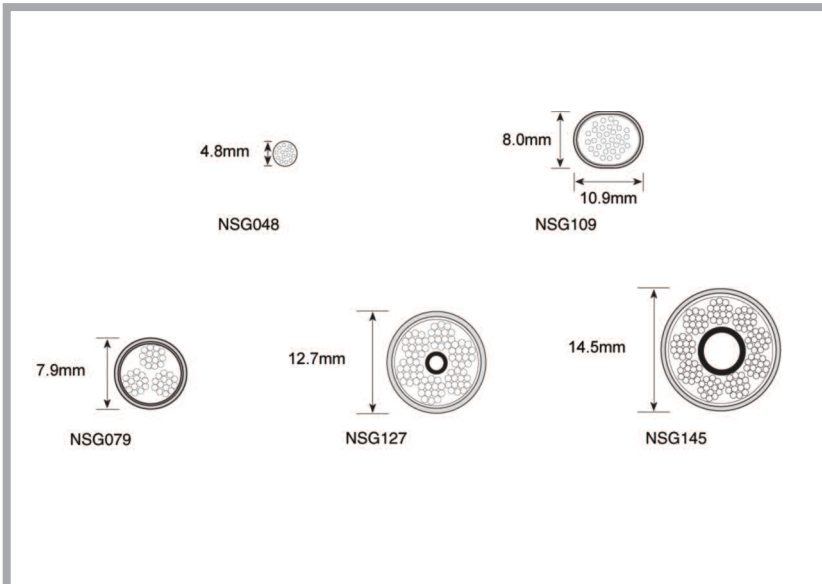


Polymer Side Sparkle Sideglow Fibre



A linear emitting fibre, suitable for use in multiple applications.

Universal Fibre Optics side sparkle sideglow fibre can be used to highlight the perimeter of pools, decks and walkways. It is also often used for illuminating the edges of steps. When attached to a UFO decorative light source, the colour of the light output can be changed and sparkle effects can also be easily achieved.

Suitable for interior or exterior applications, the fibre is UV protected and has an algacide and fungicide treated exterior jacket for maximum durability against the elements.

Our Side Sparkle fibre is strong enough for use in pools or extremely cold environments and with no heat or electricity running through the cable typical lighting design restrictions are eliminated allowing for an almost unlimited range of design possibilities.

Product Specifications

Constructed from 0.75mm diameter PMMA acrylic optical fibres of twisted sub-bundles (NSG079, NSG127 and NSG145 only) within a flexible clear jacket.

The fibres in NSG127 & NSG145 are twisted around a highly reflective PVC internal core that offers flexible stability combined with maximum light output.

Product Code	Outer Diameter	Number of Fibres	Max. No. of Tails
NSG048	4.8mm	14	60
NSG109	Oval 10.9 x 8mm	32	28
NSG079	7.9mm	42	22
NSG127	12.7mm	84	11
NSG145	14.5mm	126	7